



WATER • TECHNOLOGY

Spare parts list

Revision number

Page 1

Company name
Dept.
Editor
Phone number
Fax no.
E-mail

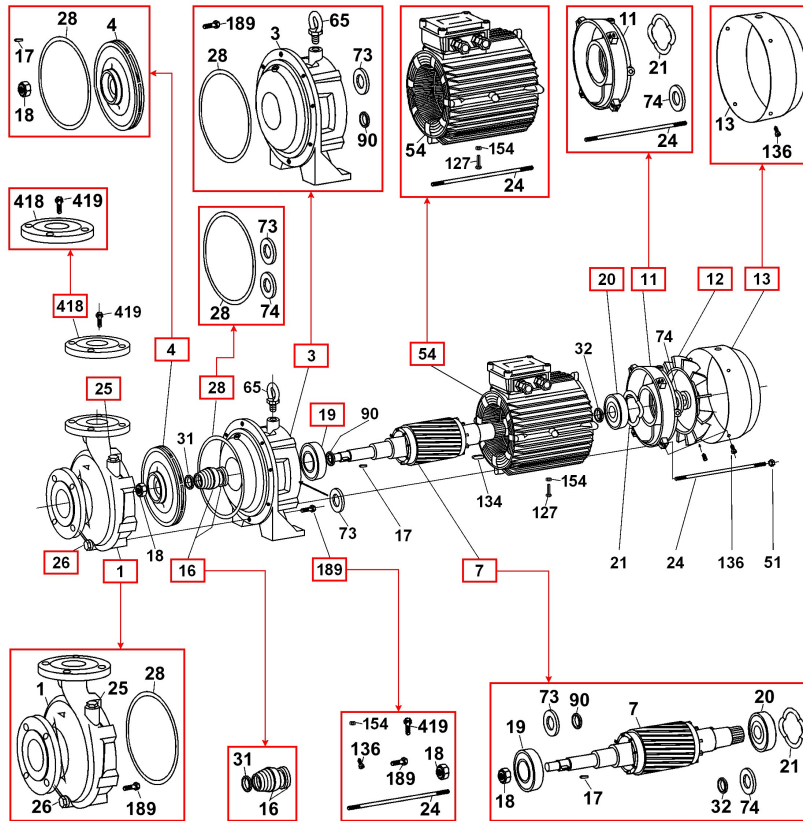
Customer

Supplier

Model - Revision @ Code_Document version

Attention: check the correspondence with the revision of your product

Pos.no	Description	Item no.	Qty.	UP / EUR
K 50/400 T 400D/50 IE3 - N.6.- - @ 60167622_a.g				



1	(SP) PUMP BODY	R00005576	1	Price on req.
3	(SP) SUPPORT	R00005579	1	Price on req.
4	(SP) IMPELLER	R00007507	1	Price on req.
7	(SP) SHAFT 109X135 IE3	SP00002078	1	Price on req.
11	(SP) MOTOR COVER	SP00004255	1	Price on req.
12	(SP) FAN	R00005039	1	Price on req.
13	(SP) FAN COVER	R00005577	1	Price on req.
16	(SP) SHAFT SEAL D.28	R00005586	1	Price on req.
19	FRONT BEARING 6309-2Z/A50C3E	R00004959	1	Price on req.
20	(SP) BEARING 6308-2Z/T1XAC3ER	SP00003371	1	Price on req.
25	(DISCONTINUED)(SP) FILLING PLUG (R00005653)	R00009971	1	Price on req.
26	(DISCONTINUED)(SP) DISCHARGE PLUG (R00005653)	R00005428	1	Price on req.
28	(SP) ORING/GASKETS	R00005581	1	Price on req.
54	(SP) MOTOR MEC132H135 400/50 DAB IE3	SP00002079	1	Price on req.
418	(SP) STAGE HOUSING W/DIFFUSER NKV 6 (4 PCS)	SP00005587	1	Price on req.

Project

Creation software

Spaix® 5-2022.2 - 2022/10/06 (E)

Issue date

2023-03-20

Last update

2023-03-20